

Product information



Part number: A.004917

Camera Pan Tilt Zoom PAL RS485 SS316

Description

The sturdy 40x optical zoom PTZ camera, can be used in many CCTV systems in the offshore and onshore industry. The camera is shock and vibration proof, filled with nitrogen, 100% watertight, has heated lens glass and provides the best possible image in all conditions. In addition, the camera has a 0 lux night vision mode and a built-in brightness function for improved vision in the dark.

This powerful 360 degree rotating PTZ camera, with an overall 960x zoom (30x optical and 32x digital), has a stainless steel housing and RS485 (Pelco-D/P,Visca) communication. The camera has a 180 degree lifting angle and can rotate 180 degrees to the left and 180 degrees to the right (360 degrees) with a speed of 12.5 degrees per second.

The cameras can be used for temperatures between -40° C to 85° C , are IP68 and IP69K watertight and are resistant to seawater.

Sensor

CCD Sensor	1/3" CMOS sensor
Effective Pixels	30x optical, 32x digital
Horizontal Resolution	>700 TV lines (PAL/NTSC)
Lens	f = 5.1 mm to 51 mm, F1.6 (WIDE) to F1.8 (TELE).
Angle of View (H)	58.9° (wide), 2,11° (tele)
Minimal Object Distance	10 mm (WIDE end), 1500 mm (TELE end)
Minimal Illumination	0.5 lux (1/30sec), 0.025 lux (1/7.5sec)
S/N Ratio	50 dB or more
TV System	PAL/NTSC, CVBS, Output: 1 V _{tt} composite video into 75 ohm

Electrical

Power Input	Power PTZ unit = 24V +/-10%.
Power Consumption	Camera unit; Temperature <0°C (heater on): 5,6W. Temperature >0°C (heater off): 3,6 W. Pan & Tilt; 24V, 12W.
Communication	Communication via serial interface through pin nr. 5 and 6 & the 7 poles connector, Visca, Pelco-D + Pelco P protocol (RS485) 9,6 Kbps, 8 bit, 1 stop bit, no parity.
Pan Angle	Total 360°, 180° left, 180° right.
Tilt Angle	Total 180°, 90° up, 90° down.
Backlash	1°.
Fixed Camera Positions	128 presets Visca and 255 presets Pelco-D/P.
Pan & Tilt Speed	12,5°/sec.

Product information



Part number: A.004917

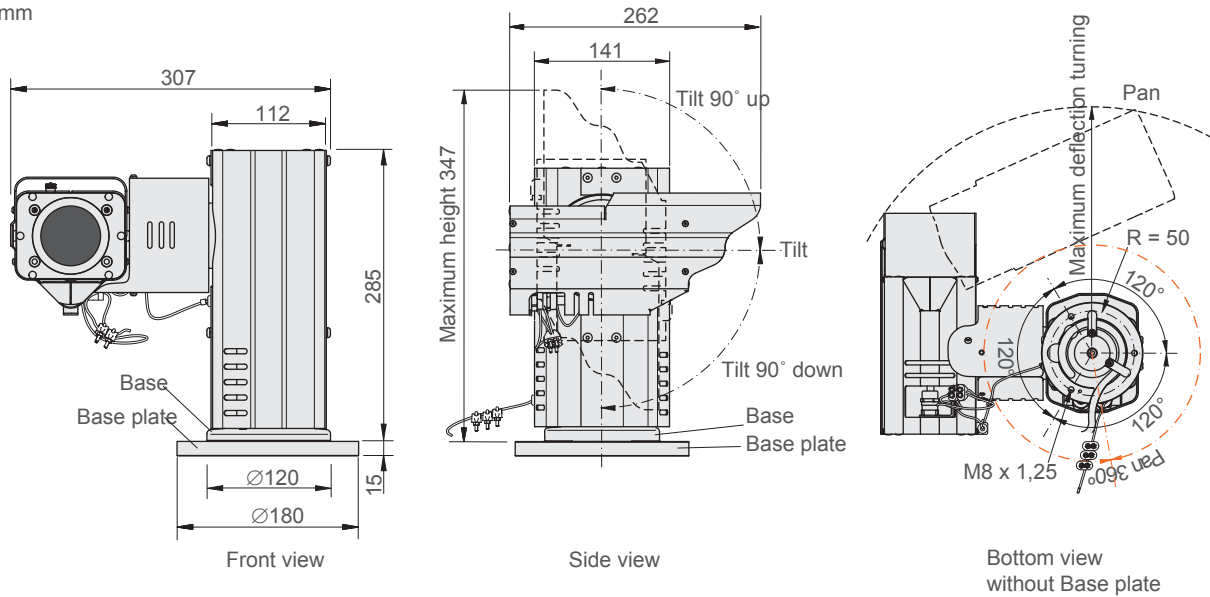
Camera Pan Tilt Zoom PAL RS485 SS316

Mechanical

Housing	Stainless steel 316
Weight	16 kg, including 3,5 metre cable for installation (total 5m)
Protection	IP68 following IEC 60529. Camera is also successfully tested IP69K following DIN 40050-9: camera can withstand a high pressure cleaning with water: 14-16L/min. 80°C and 100 bars flow. 1,4 Bar overpressure filled with dry nitrogen, monitored by 2 absolute sensors, long term stability 0,1%/year.
Operating Temperature	Tamb -40°C to +85°C
Included	Included Steel cable fall protection and a 12AWG 4mm2 wire to earth
Certification	
Green Passport	All materials are compliant to Green Passport requirements according IMO resolution MEPC.197(62) as adopted on 15 July 2011 (Maritime sector: International Maritime Organization concerning the functions of the Marine Environment Protection Committee)

Dimensions

Units in mm



NOTE For more installation and specification details see the installation manual.

NTSC model also available. For more information, please contact us.