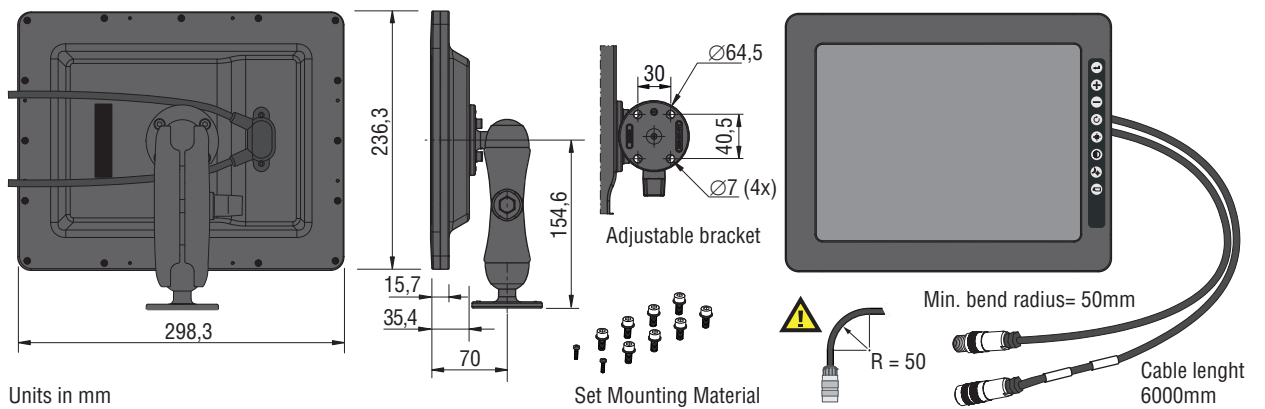


# Product Data



**Dimensions**



# TECHNICAL DATA

## Set Monitor 12" RLED Serial R6B

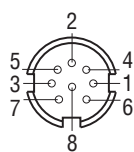
|                                  |   |
|----------------------------------|---|
| <b>Set Artikelnummer</b>         | <b>Description</b><br>A.004005  |
| <b>Monitor</b>                   | Monitor 12" RLED Serial   |
| <b>Cable</b>                     | Cable Monitor 6 b8 b7   |
| <b>Bracket</b>                   | Adjustable Bracket 190mm  |
| <b>Mounting material</b>         | Set Mounting Material Adjustable Bracket  |
| <b>General</b>                   |   |
| <b>Weight</b>                    | 2,81 kg, including cable and bracket.   |
| <b>Type</b>                      | Automotive 12,1inch TFT-LCD module with a white LED backlight.  |
| <b>Resolution</b>                | XGA 1024 x R.G.B. x 768 pixels.   |
| <b>Viewing</b>                   | 80° horizontal and 70° vertical (@ CR≥10).  |
| <b>LED live time</b>             | 30.000 Hrs.   |
| <b>Typical performance</b>       | Center luminance of white: 500cd/m2, Contrast ratio 700:1, Response time 5ms (Tr).  |
| <b>Software menu</b>             | Full On-Screen-Display (OSD) functionality in 12 languages: English, Dutch, German, French, Italian, Polish, Portuguese, Spanish, Swedish, Finnish, Danish and Norwegian. |
| <b>ABC mode</b>                  | Improved Auto Brightness Control (ABC) including one-touch day/night setting and adjustable minimum and maximum levels for automatic control.                             |
| <b>Operating temperature</b>     | -40°C...+85°C.  |
| <b>Electrical</b>                |   |
| <b>Input voltage range</b>       | 12...30V.   |
| <b>Power consumption</b>         | 12W@24V.  |
| <b>Protection:</b>               | >30V overvoltageprotection, <10V undervoltageprotection, protected against load dumps, spikes and surges, reverse polarity on all wiring.                                 |
| <b>Power-output:</b>             | For powering cameras and other peripherals. Power-output = input Voltage. Output current 2A max.  |
| <b>Video input</b>               | 1Vtt, 75Ω, Pal 50 Hz, 4,43MHz color sub carr. NTSC 60 Hz, 3,58MHz color sub carr.   |
| <b>Mechanical</b>                |   |
| <b>Surface</b>                   | Hard coating (3H), with AG LR (Low Reflection) polarizer.   |
| <b>Housing</b>                   | Color Black, material: aluminium & high impact automotive synthetic thermoplastic polymer.  |
| <b>Protection</b>                | IP67 according IEC60529. dust-tight and protected against the effects of temporary immersion in water up to 1 m under water for 30 minutes.                               |
| <b>Temperature/humidity test</b> | According IEC60068-2-1/2/3/14/30/38.  |
| <b>Certification</b>             |   |
| <b>Quality &amp; environment</b> | Units are manufactured in the Netherlands; ISO 9001: 2000, ISO14001: 2004.  |

Each product is delivered with a User manual, Installation/System manual.

### Electrical connection

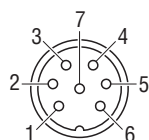
**Connections to the monitor:** (Secure the power input with a 5A fuse)

|                  |                                   |            |   |
|------------------|-----------------------------------|------------|---|
| 1 = Red          | = Power input: 12...30V           | 6 = Grey   | = Zoom in/Cam No. 4 activated at 12...30V |
| 2 = White        | = Power input: 0V                 | 7 = Yellow | = Zoom out/Quadview activated at 12...30V |
| 3 = Blue         | = Cam No. 1 activated at 12...30V | 8 = N.C.   |   |
| 4 = Brown        | = Cam No. 2 activated at 12...30V |            |   |
| 5 = White/Yellow | = Cam No. 3 activated at 12...30V |            |   |
|                  |                                   |            | Shielding to GND                          |



### Solder side 7p female connector:

|                    |                         |
|--------------------|-------------------------|
| 1 = Coax core      | = Video1 input          |
| 2 = Coax shielding | = Video 0V              |
| 3 = Red            | = Power output 12...30V |
| 4 = Black          | = Power output: 0V      |
| 5 = Orange         | = RS232 In              |
| 6 = Yellow         | = RS232 Out             |
| 7 = Grey           | = Video 2 input         |
|                    | Shielding to housing    |



All data subject to change without notice. All dimensions are for commercial purpose only.

The camera/display systems comply with the latest CE, ADR, EMC and mirror-directive regulations, where applicable.

All products are manufactured in accordance with the ISO 9001 quality management system, ISO/TS 16949 quality automotive, ISO 14001 environmental management systems and all Ex products with the IECEx scheme and ATEX directives, where applicable.