

# 7" Ex d Monitor

Art. No. A.004502

Data sheet 2013 | R1-0 | EN



## 7" Analog monitor for hazardous areas 7" Ex-d Monitor

The 7 inch monitor supports live monitoring and control of up to 4 cameras, 3x fixed and 1x zoom, in real time, for use with time sensible operations in the hazardous area.

### Hardware Features

- Up to 4 cameras, 3x fixed, 1x zoom (not included)
- Surveillance in real time
- Quad view mode
- Operation direct in hazardous area
- Zone 1, 2 (21,22 on request)
- Monitor + camera control by additional control panel (not included)
- Interface for control, RS-232.

### Explosion Protection

Explosion Protection Identification:

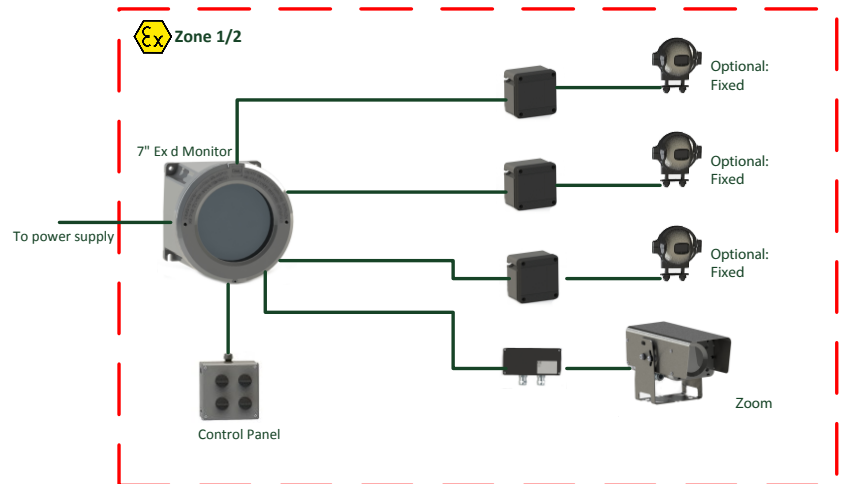


ATEX :  
Ex II 2G Ex d IIC T6

IECEX:  
Ex de IIC T6

Temperature Range:  
Ambient temperature range  
Operation  
-25°C...+40°C

IP Protection:  
IP66



# 7" Ex-d Monitor

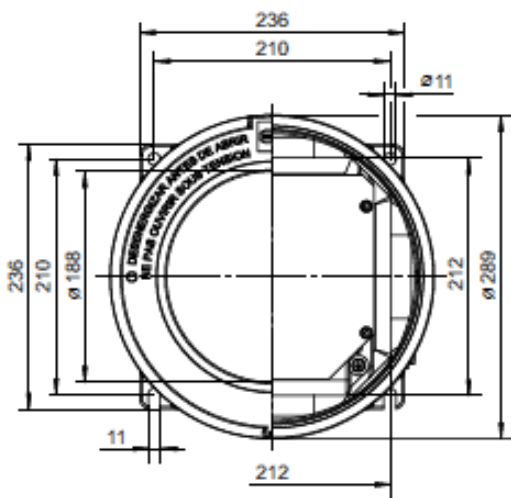
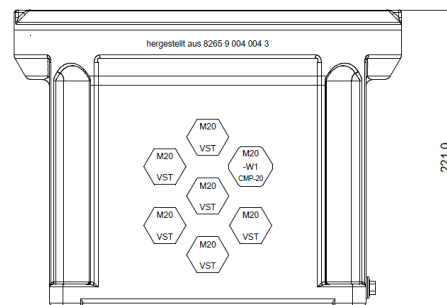
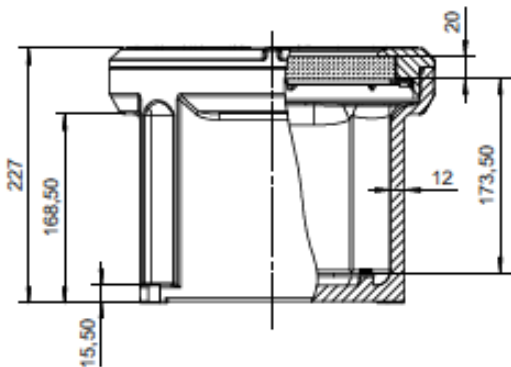


Art. No.  
Data sheet 2013 | R1-0 | EN

## Technical Data

Description	7" Ex-d monitor for fixed, zoom camera. Up to 4 cameras: 3x fixed and 1x zoom (RS232)
Housing	Copper-free aluminum (seawater-resistant) Upon direct contact with seawater, a coating is recommended.
Dimensions Housing	236(W) x 236(H) x 227(D) mm
Dimension Window	188 mm diameter
Weight	14,7 kg without control panel cable
Cable Control Panel	Ex-d Monitor is equipped with a 18 m control panel cable
Display Type	Automotiv 7inch TFT liquid crystal display module LED backlight
Resolution	WVGA 800xRGBx480 pixel
Brightness	600cd/m <sup>2</sup>
Contrast	650:1
Viewing angle	70° horizontal, 60° vertical (@CR≥10)
Viewing modes	Quad, Camera fullscreen switchable with control panel (not included)
LED Life Time	30000 Hrs.
Input voltage	115...230V/AC
Power consumption	Max. 55 W
Necessary Accessories	Zone 1 Control Panel for usage and Camera management (not included)
Not included	Ex-PCB Connection Boards for Ex Zoom Camera Corresponding Ex-Cable Glands

## Dimensions (in mm)



## Control Panel (not included)

