

Product information



Part number: A.007104

Camera Pan Tilt Zoom Ex IP Full HD SS316L



Description

The A.007104 is a 3 megapixel Full HD IP camera built in a PTZ camera station designed for use in hazardous areas in onshore, offshore, marine and heavy industrial environments. The camera housing is constructed from electro-polished 316 stainless steel for maximum corrosion protection and is fitted as standard with sunshield, thermostatically controlled heater element and wiper. Optionally the camera can be connected to optical fiber.

ATEX and IECEx certified

The A.007104 is an Ex-D (flame proof) camera suited to be used in hazardous areas, zone 1 & 2 for gas and zone 21 & 22 for dust environments.

Integrated HD Box Camera

Fitted as standard the A.007104 is equipped with a 33x optical zoom 3 megapixel (2048 x 1536), IP day/night camera. The 33x zoom realises the optimum field of view in any situation. The camera is ONVIF Profile S compliant and supports the open standard (OSA) HTTP API for ease of integration

Multi-stream High-definition

The integrated HD camera has quad-stream capability for simultaneous streaming of H.265, H.264 (main or high profile), MJPEG. Multiple combinations of resolution and frame rate can be configured to satisfy different live viewing and recording scenarios.

Image Enhancement

The camera provides automatic day/night functionality for use in low light situations. Backlight compensation enhances the image in difficult lighting situations. The WDR-2 dual exposure mode brings out details in dark areas and details in the bright areas by combining the best of two exposures.

Security Solutions

In combination with a video management system the camera creates a versatile CCTV solution for hazardous areas realized by the camera's ONVIF Profile S compliance

Washer / Wiper Option

The camera is standard equipped with a wiper and prepared for installing a washer hose and nozzle. A pressurized 10 liter water tank, including hose and nozzle is sold separately

Conduit Choices

To simplify installation in hazardous areas the camera is standard fitted with a 3m conduit, including wiring. The conduit is available in 3, 5 or 10m.

Direct to Fiber

As an option the camera can be fitted with a 100FX optical fiber connection (2SM). The duplex single-mode fiber is preconfigured with dual LC connectors.

Features

- ✔ ATEX and IECEx certified for gas and dust
- ✔ 360° Continuous rotation
- ✔ Variable pan and tilt speed
- ✔ 33x optical zoom
- ✔ Single integrated flexible conduit tail
- ✔ Corrosion protected 316L stainless steel
- ✔ 3 megapixel IP camera, 60 frames per second
- ✔ Integrated wiper and heater
- ✔ Optional: Fiber optic output
- ✔ ONVIF Profile S compliant

Product information


Part number: A.007104

**Camera Pan Tilt Zoom Ex
IP Full HD SS316L**


Camera Housing	
Certification	ATEX, IECEx IEx db IIC T6/5/4 Gb -60°C Tamb +60/75/80°C Ex tb IIIC T85/100/135°C Db -60°C Tamb +60/75/80°C
Ingress protection rating	IP66, IP68 (3m, 30min) and IP69, Nema-4x, IK10
Body material	Electro-polished 316L stainless steel
Rotation	360° Continuous rotation
Tilt angle	+90° to -90°
Variable speed	up to 40°/sec pan and 20°/sec tilt (peak)
Backlash	<0.1°
Preset accuracy	<0.04°
Cable entry	1x M25x1.5
Sunshield	Standard
Internal heater	Standard
Integrated wiper	Standard
Washer system	Optional
Operating temperature	-60 °C to +75 °C
Weight	30.5 kg
Supply voltage	24 VAC 50/60 Hz; Optional 115 VAC 50/60 Hz; 230 VAC 50/60 Hz
Power consumption	100 W maximum, 10 W minimum
Electrical connections	3 wire power cable from the conduit, 0.75 mm2
Camera	
Image sensor	1/2.8" Progressive scan CMOS
Effective pixels	2065 (H) x 1553 (V)
Shutter speed	1 - 1/60000 s
Minimum scene illumination	0.04 lux (colour), 0.002 lux (b/w), F/1.6
Dynamic range	120 dB dual exposure HDR
(WDR) Lens	33x Optical zoom, F/1.6 (W), F5 (T), 10x digital zoom)
Lens focal length	4.5 to 152 mm
Horizontal field of view	55.3° (W) to 1.8° (T)
Features	Back light compensation, auto/manual white balance, (3D/2D) noise, IR light compensation
Exposure	Auto (iris or shutter priority) / Manual
Day/Night	IR-cut filter
Local storage	Micro SD card, max. 256GB

Product information



Part number: A.007104

Camera Pan Tilt Zoom Ex IP Full HD SS316L



Video				
Compression Algorithm(s)	H.265, H.264 (main or high profile); MJPEG			
Supported Resolutions	2048x1536; 1920x1080 (1080p); 1280x1024; 1280x720 (720p); 1024x768; 800x600; 720x576 (D1); 640x480; 352x288 (CIF)			
Max streaming (H264/H265/MJPEG)				
60fps	2048x1536	800x600		
60fps	2048x1536	720x480	352x240	352x240
30fps	2048x1536	2048x1536	1280x720	352x240
30fps (dual shutter WDR)	2048x1536	2048x1536	800x600	352x240
Compression bit rate control	Constant bit rate (CBR), variable bit rate (VBR), Low bit rate (LBR)			
Output bit rate (per H.264 stream)	Up to 20480 kbit/s			
Number of video output streams	Up to 20 (RTSP)			
Total output data rate (max)	60 Mb/s			
Video frame rate	1 to 60 fps / 1 to 50 fps			
Network				
Interface(s)	10/100 Mb Ethernet (4-wires 0.5 mm ² from conduit)			
2SM option	100FX fiber (2SM, duplex single mode fiber with dual LC from conduit)			
Protocols	IPv4/IPv6, HTTP, HTTPS, 802.1x, Qos, FTP, SMTP, UPnP, SNMP, DNS, DDNS, NTP, RTSP, RTCP, RTP, TCP/IP, DHCP, PPPoE, NTCIP 1205.			
Standard	ONVIF (Profile S, Profile G, Profile T)			
Supported browsers	IE 9, 10 and 11; limited support for Edge, Chrome, Firefox			
User accounts	20			

Product information



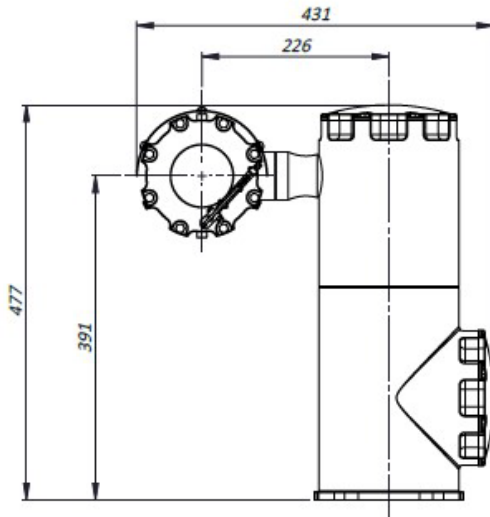
Part number: A.007104

Camera Pan Tilt Zoom Ex IP Full HD SS316L

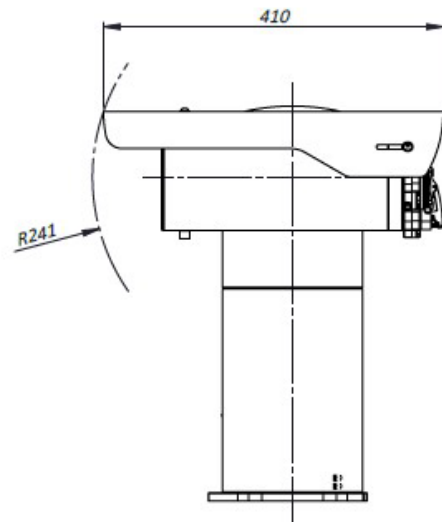


Dimensions

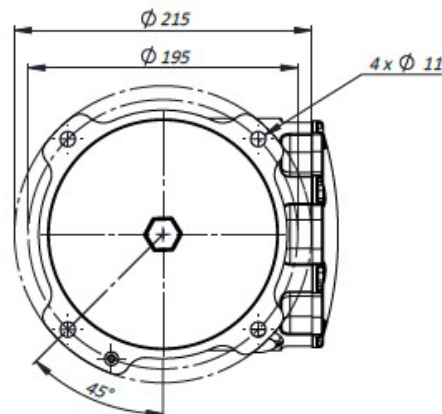
FRONT VIEW



SIDE VIEW



MOUNTING PATTERN



Product information



Part number: A.007104

Camera Pan Tilt Zoom Ex
IP Full HD SS316L



Dimensions

EX WALL MOUNTING BRACKET PTZ DIMENSIONS

Dimensions EX wall mounting bracket PTZ (in mm)

