

Ex-d zoom camera



Overview

The camera fixed HD IP station has been designed for use in potentially explosive atmospheres and harsh environmental conditions - suitable for use both offshore or onshore, where light weight combined with corrosion resistance is required.

Built upon proven expertise, the housing is made from a UV stable glass reinforced polyester and supplied with a 316L stainless steel mounting bracket ensuring a totally corrosion free product.

With its multiple voltage options, lens choice, worldwide certification and wide operating temperature, the A.008527 is suitable for most applications.

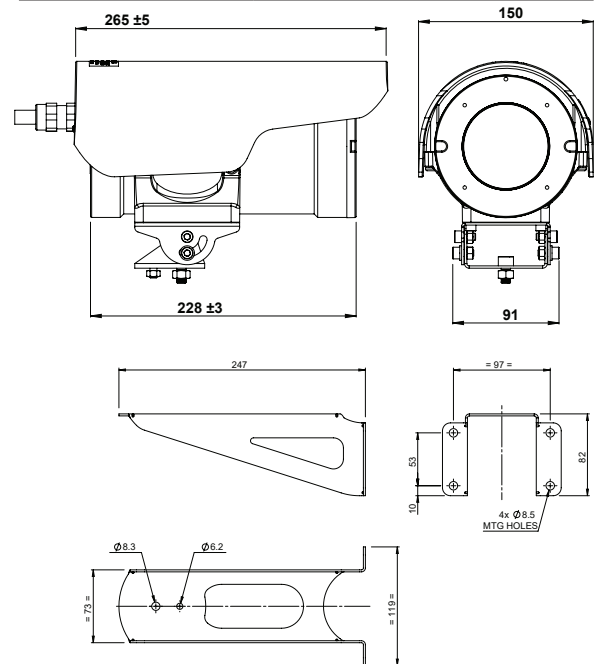
Features

- ATEX & IECEx, Zone 1, 2, 21 & 22
- Ex db IIB T4/T5/T6, Ex tb IIIC T135/T100/T85°C
- IP66 and IP67
- Certified and operating temperature range from -55° to +70°C
- Corrosion free GRP
- Supply voltage 12 VDC, 24 VDC, 24 VAC, PoE
- Optional fibre transmission
- Various cable tail lengths



Certifications

ATEX Ex d	Cert No. ATEX SGS20ATEX0073X Certified to: EN60079-0, EN60079-1, EN60079-31 Ex II 2GD Ex db IIB T4/T5/T6 Gb, Ex tb IIIC T135/T100/T85°C
IECEX Ex d	Cert No. IECEX BAS 20.0031X Certified to: IEC60079-0, IEC60079-1, IEC60079-31 Ex db IIB T4/T5/T6 Gb, Ex tb IIIC T135/T100/T85°C

General arrangement drawing (all dimensions in mm)

Specifications

Features	
Body	Flame retardant, UV stable, glass reinforced polyester, 5VA flammability rating
Sun shield	Flame retardant, UV stable, glass reinforced polyester, VO flammability rating
Camera station window	Toughened glass
Fixings material	316L stainless steel
Integral demister	Standard
IP direct fibre out options	Optional media convertor, simplex/duplex singlemode 9/125µm or multimode 50/125µm, 10/100Mb Ethernet, IEE 802.3
Operating temperature	From -55° to +70°C
Mounting options	Supplied with swivel and wall mounting bracket. Swivel range pan 200°, tilt 15° up, 80° down. (Tilt is interchangeable)
Ingress Protection Rating	IP66, IP67
Weight (kg)	up to 4 kg including sunshield, 6 kg including mounting brackets
Supply voltage options	12VDC, 24VDC, 24VAC or PoE
Power consumption	13W maximum (63W with low temperature operation)
Cable Entry	Product is supplied with conduit tail, length selectable in order code. Power cables 1mm ≤10m, 1.5mm ≤15m.
Camera	
Image Sensor	Progressive scan CMOS 1/2.8"
Resolution	2304 x 1296 @ 60fps
Lens	33x optical zoom 4.5~148.5mm F1.5~F4.0, horizontal angle of view 62.93° - 3.67°
Min. Illumination	Colour : 0.001Lux (F1.5, AGC ON), B/W 0.0005Lux (F1.5, AGC ON)
Streaming	Five streams in H.264, H.265
Features	AGC, AE, AWB, TDN, DNR, BLC, EIS, WDR, Defog, OSD, Day&Night, Auto Colour/BW (IR-cut with auto switch)
Standards Protocols	L2TP, IPv4, IGMP, ICMP, ARP, TCP, UDP, DHCP, PPPoE, RTP, RTSP, DNS, DDNS, NTP, FTP, UPnP, HTTP, SNMP, SIP.